



Bickers
Your glueing expert



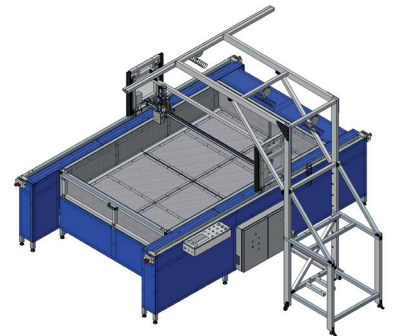
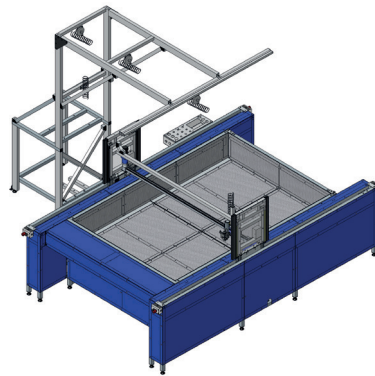
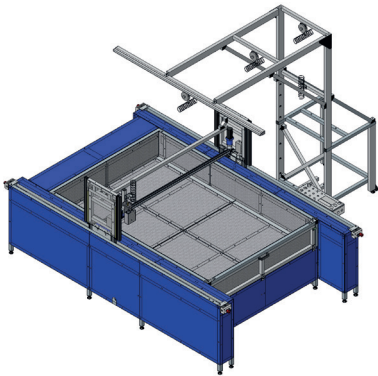
GLUEJET[®] PI - Glue Plotter
The machine for perfect & profitable
displays and packaging



Bickers
Your glueing expert

GLUEJET®

Technical specifications PI(2)



- Formats:** 1300 x 1800 mm
1700 x 1800 mm
1700 x 2500 mm
2000 x 3000 mm
**Special sizes on request*
- Speed:** *max. 2,0 m/sec. - continuously selectable
up to 6.0 m/sec. glue application when using
the TRIPLE-Smart-Head*
- Lift tables:** *Electromechanical
Automatic height adjustment
Stack height 350 mm*
- Application types:** *Line application for hot and cold glue
Spray application for hot and cold glue
Optional: TRIPLE-Smart-Head*
- Programming:** *Via joystick, laser and camera
995 different programs can be saved
Optional: storing of CAD / DXF files*
- Workplaces:** *4 independently programmed
workplaces*
- Remote maintenance:** *Via integrated modem*
- Flexibility:** *The GLUEJET® enables almost every
geometric shape for the application
of the adhesive*



Bickers GmbH / GLUEJET®
Leopoldstraße 15, 45139 Essen
Telefon: +49 (0) 201 272553, Telefax: +49 (0) 201 274912
E-Mail: sales@gluejet.com, Webseite: www.gluejet.com