



Bickers
Your glueing expert

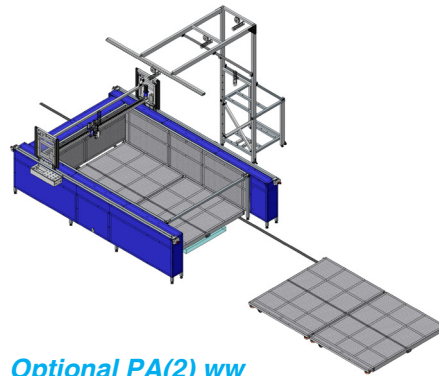
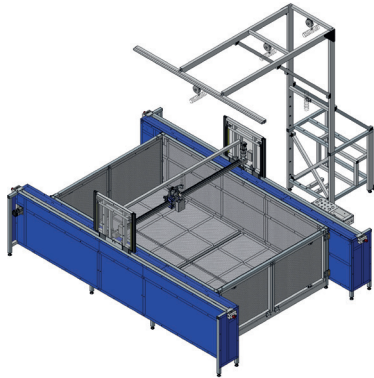


GLUEJET[®] PA - Glue Plotter
The machine for perfect & profitable
displays and packaging

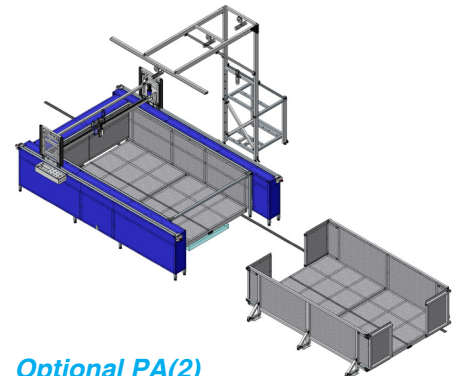


GLUEJET®

Technical specifications PAi(2)



Optional PA(2) ww



Optional PA(2)

- Formats:** 1300 x 1800 mm
1700 x 1800 mm
1700 x 2500 mm
2000 x 3000 mm
**Special sizes on request*
- Speed:** max. 2,0 m/sec. - continuously selectable
up to 6.0 m/sec. glue application when using
the TRIPLE-Smart-Head
- Lift tables:** Hydraulic
Automatic height adjustment
Stack height 840 mm
- Application types:** Line application for hot and cold glue
Spray application for hot and cold glue
Optional: TRIPLE-Smart-Head
- Programming:** Via joystick, laser and camera
995 different programs can be saved
Optional: storing of CAD / DXF files
- Workplaces:** 4 independently programmed
workplaces
- Remote maintenance:** Via integrated modem
- Flexibility:** The GLUEJET® enables almost every
geometric shape for the application
of the adhesive

