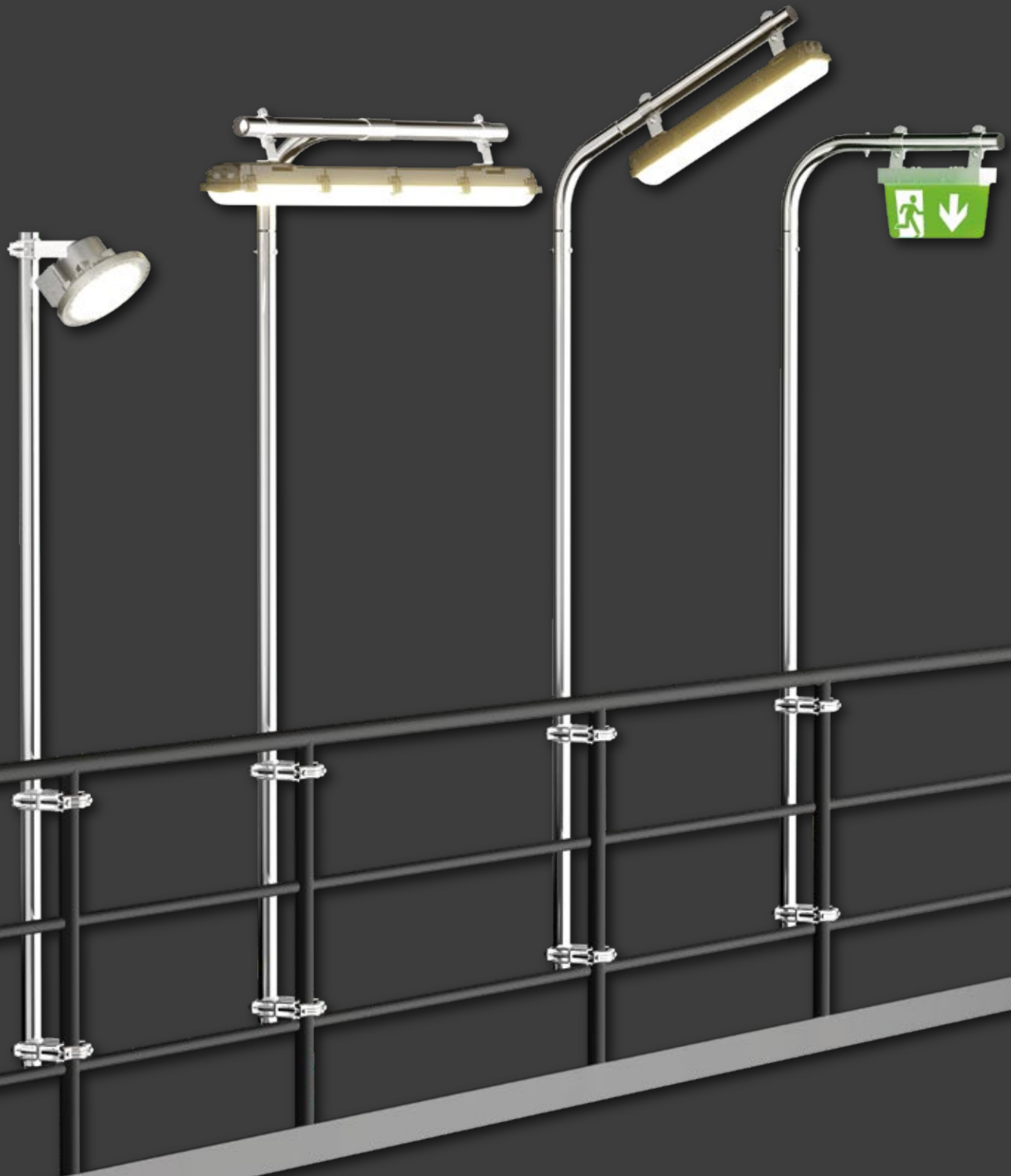


ბეწა



PRODUCT CATALOGUE 2023/24

www.befestigungstechnik-westfalen.de

Economical BTW systems and mounting solutions for light and equipment installation.

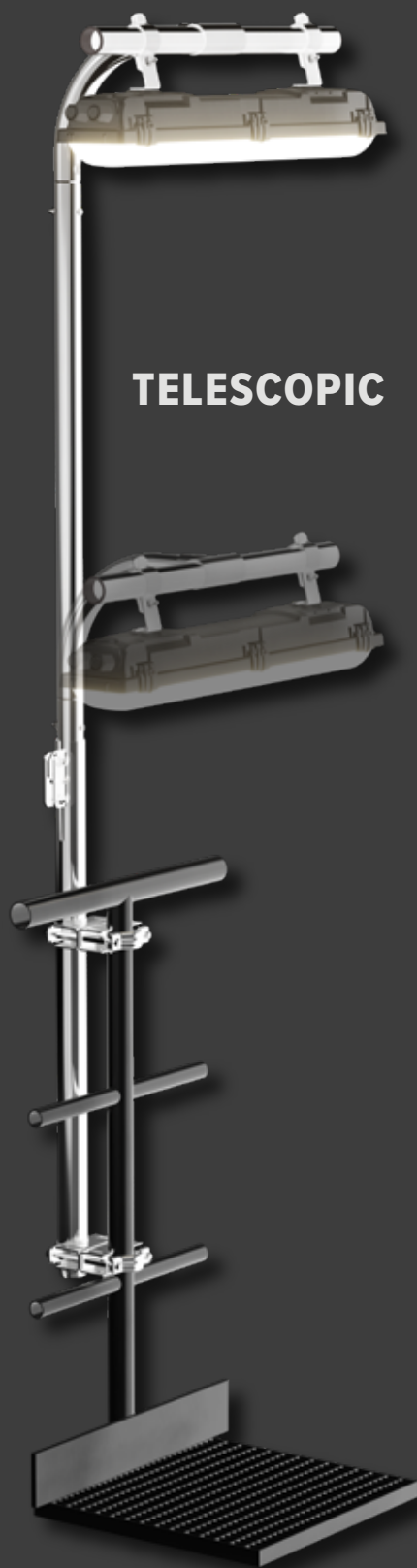
We offer cost-effective system and mounting solutions for lighting and equipment installation that are quickly ready for use and are characterized by high-quality materials and corrosion protection.

SUMMARY

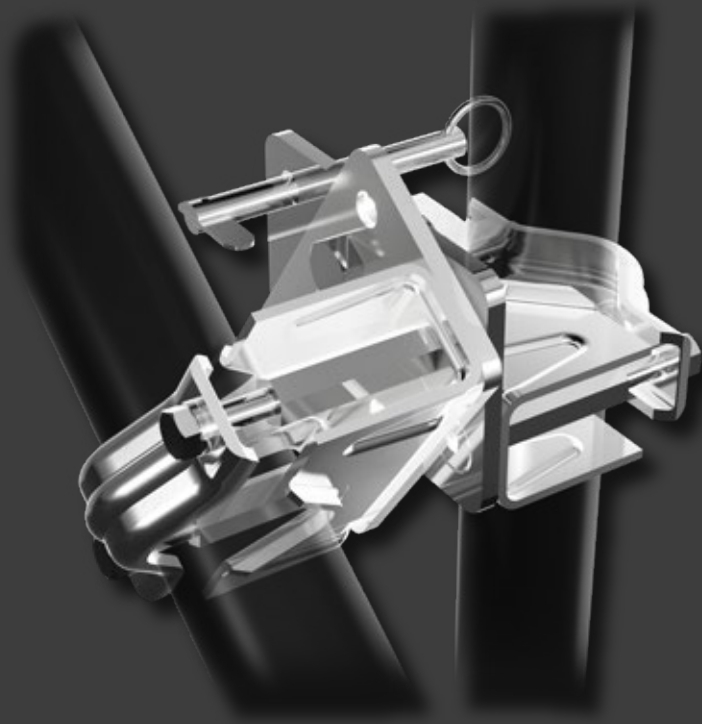
Page	Contents
04-05	System solutions
06-11	System Poles
12-15	Universal fixings
16-17	Under handrails
18-19	Wall brackets & construction brackets
20-21	Emergency light holder / Cable trays
22-23	Ex-Lin systems
24-25	Holder & mast base stand
26-27	Fenders & universal clamps



RIGID DESIGN



TELESCOPIC



LATERALLY FOLDABLE
for heavy lights





WHIPMAST ROTTERDAM 120°

for linear luminaires, 700 - 1500 mm length, Protected cable routing & luminaire mounting height up to 3000mm

RIGID DESIGN:

- 700mm // Art.-Nr.: **BT-10A-212F-7-rd**
- 1200mm // Art.-Nr.: **BT-10A-212F-2-rd**
- 1500mm // Art.-Nr.: **BT-10A-212F-5-rd**

LATERALLY FOLDABLE:

- 700mm // Art.-Nr.: **BT-20A-212F-7-rd**
- 1200mm // Art.-Nr.: **BT-20A-212F-2-rd**
- 1500mm // Art.-Nr.: **BT-20A-212F-5-rd**

TELESCOPIC:

- 700mm // Art.-Nr.: **BT-30A-212F-7-rd**
- 1200mm // Art.-Nr.: **BT-30A-212F-2-rd**
- 1500mm // Art.-Nr.: **BT-30A-212F-5-rd**



LUMINAIRE SUPPORT POLE PHOENIX 120°

for linear luminaires, 700 - 1500 mm length, Protected cable routing & luminaire mounting height up to 2500mm

RIGID DESIGN:

- 700mm // Art.-Nr.: **BT-10T-212F-7-rd**
- 1200mm // Art.-Nr.: **BT-10T-212F-2-rd**
- 1500mm // Art.-Nr.: **BT-10T-212F-5-rd**

LATERALLY FOLDABLE:

- 700mm // Art.-Nr.: **BT-20T-212F-7-rd**
- 1200mm // Art.-Nr.: **BT-20T-212F-2-rd**
- 1500mm // Art.-Nr.: **BT-20T-212F-5-rd**

TELESCOPIC:

- 700mm // Art.-Nr.: **BT-30T-212F-7-rd**
- 1200mm // Art.-Nr.: **BT-30T-212F-2-rd**
- 1500mm // Art.-Nr.: **BT-30T-212F-5-rd**





LUMINAIRE SUPPORT POLE PHOENIX 90°

for linear luminaires, 700 - 1500 mm length, Protected cable routing & luminaire mounting height up to 2500mm

RIGID DESIGN:

- 700mm // Art.-Nr.: BT-10T-290F-7-rd
- 1200mm // Art.-Nr.: BT-10T-290F-2-rd
- 1500mm // Art.-Nr.: BT-10T-290F-5-rd

LATERALLY FOLDABLE:

- 700mm // Art.-Nr.: BT-20T-290F-7-rd
- 1200mm // Art.-Nr.: BT-20T-290F-2-rd
- 1500mm // Art.-Nr.: BT-20T-290F-5-rd

TELESCOPIC:

- 700mm // Art.-Nr.: BT-30T-290F-7-rd
- 1200mm // Art.-Nr.: BT-30T-290F-2-rd
- 1500mm // Art.-Nr.: BT-30T-290F-5-rd



RAILING POST **ANTWERPEN**

for universal mounting of spotlights &
surveillance equipmen

RIGID DESIGN:

Art.-Nr.: **BT-10S-200F-0 rd**

LATERALLY FOLDABLE:

Art.-Nr.: **BT-20S-200F-0 rd**

TELESCOPIC:

Art.-Nr.: **BT-30S-200F-0 rd**



SIGN & BOOM POLE LINZ

for emergency signs & linear luminaires, 400mm length,
Protected cable routing

RIGID DESIGN:

- 400mm // Art.-Nr.: **BT-10A-290F-4-rd**

LATERALLY FOLDABLE:

- 400mm // Art.-Nr.: **BT-20A-290F-4-rd**

TELESCOPIC:

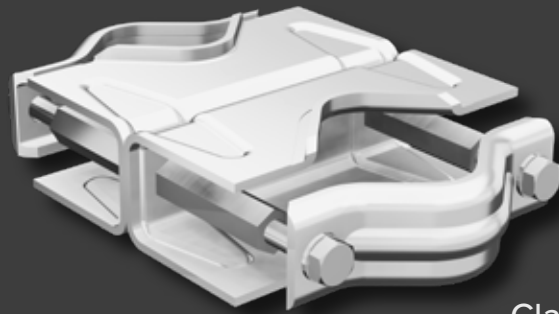
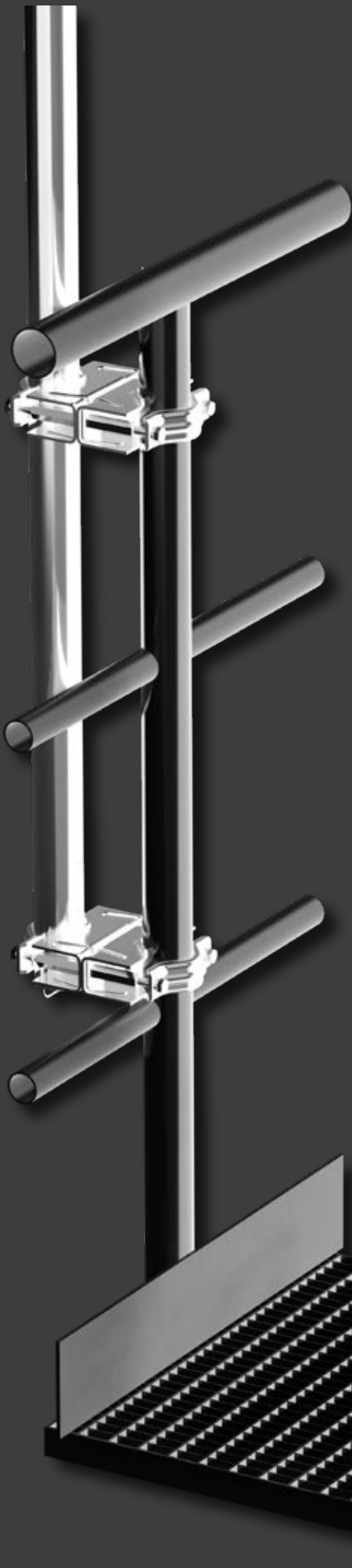
- 400mm // Art.-Nr.: **BT-30A-290F-4-rd**

Efficient and safe work at heights through a lightweight system

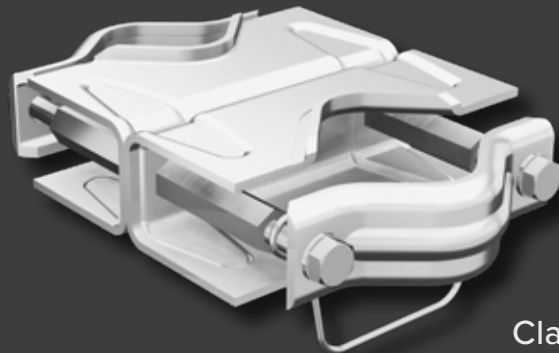
Working at any height can be done quickly and safely, while the assembly and maintenance can be performed by a single person.

Our low system weight facilitates the assembly and meets the high safety requirements of regulatory authorities and professional associations.

Railing post attachment round / round

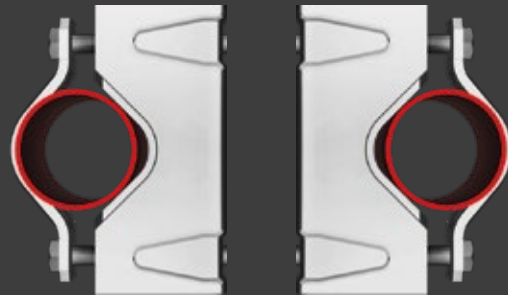


Clamp above
Art.-Nr. BT-501-070F-o-rd

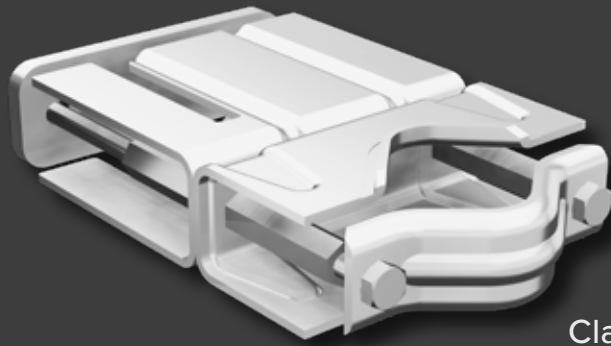


Clamp below
Art.-Nr. BT-501-070F-u-rd

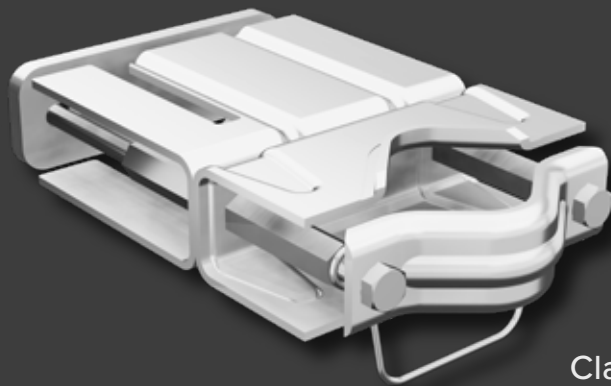
COMBINATION OF:
ROUND CLAMP + ROUND CLAMP



Railing post attachment angled / round



Clamp above
Art.-Nr. **BT-502-070F-o-wk**



Clamp below
Art.-Nr. **BT-502-070F-u-wk**



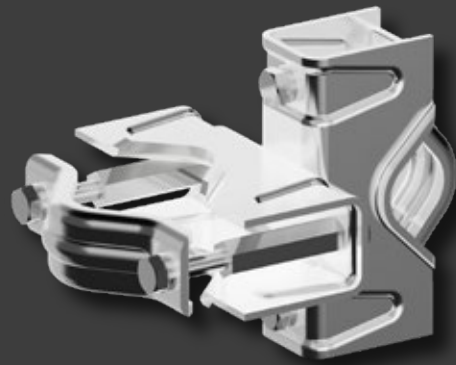
COMBINATION OF:

ROUND CLAMP + ANGLED CLAMP





Knee- & foot strap - attachment



Clamp knee strap above
Art.-Nr. BT-506-070F-K-rd



Clamp foot strap below
Art.-Nr. BT-506-070F-F-rd

Railing post attachment foldable

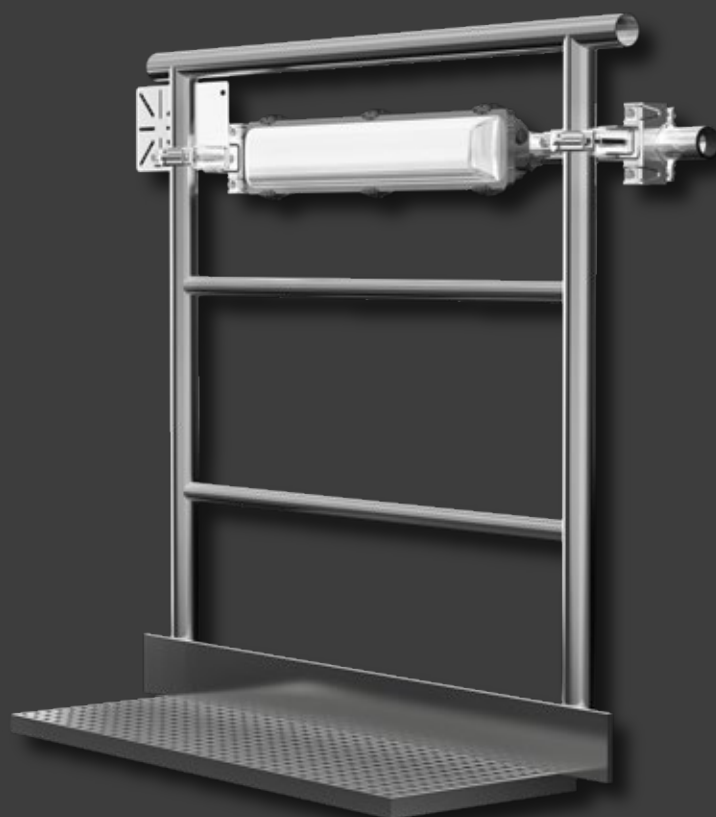


Clamp above
Art.-Nr. **BT-503-070F-o-rd**



Clamp below
Art.-Nr. **BT-503-070F-u-rd**

UNDER HANDRAIL FRAME



UHG TRIEST 1

Secure lighting support system for installation between railing supports.

Art.-Nr.: BT-100-UHGF-2-rd



UHG TRIEST 2

Secure lighting support system for installation between railing supports.

Art.-Nr.: **BT-100-UHGF-5-rd**



H-BEAM MOUNTING **OHIO 1**

Luminaire mounting system for free mounting
on support structures and columns

Art.-Nr. **BT-10A-112F-2-ch**



H-BEAM MOUNTING **OHIO 2**

Luminaire mounting system for free mounting on
support structures and columns

Art.-Nr. **BT-10F-000F-5-ch**



H-BEAM MOUNTING **OHIO 3**

Luminaire mounting system for free mounting
on support structures and columns

Art.-Nr. **BT-10F-100F-5-ch**



WALL MOUNTING **LEUNA**

Luminaire mounting system for free mounting on
masonry and walls

Art.-Nr. **BT-10A-112F-2-cw**



EMERGENCY LIGHT HOLDER **SCHUCH**

Safe lighting support system for
installation on mast structures.

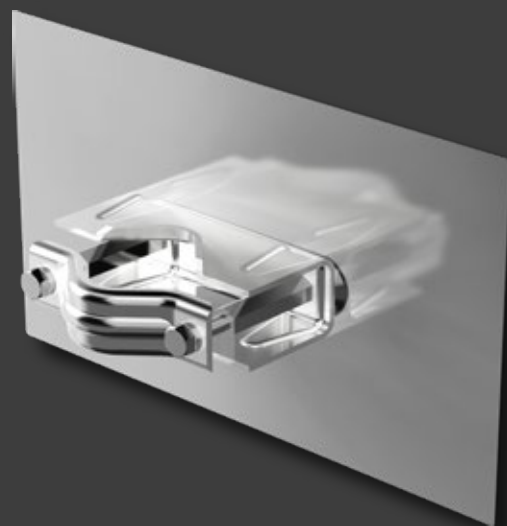
Art.-Nr.: **BT-804-332F-N-rd**



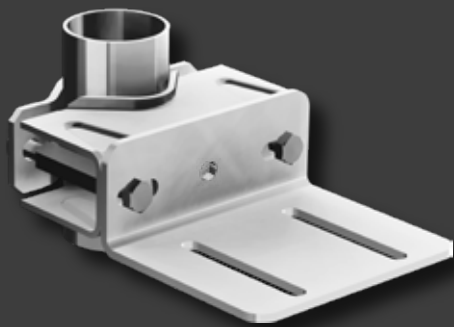
EMERGENCY LIGHT HOLDER **BASE CLAMP**

Safe lighting support system for
installation on mast structures.

Art.-Nr.: **BT-804-330F-N-rd**

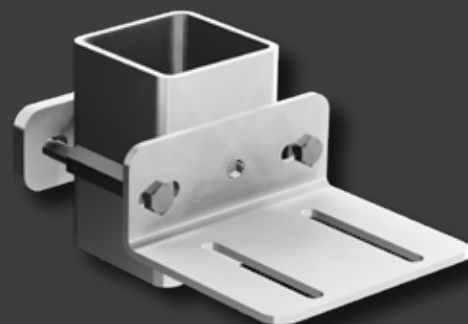
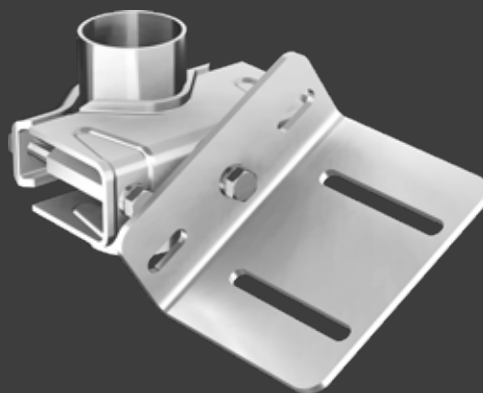


CABLE TRAY & EQUIPMENT BRACKETS



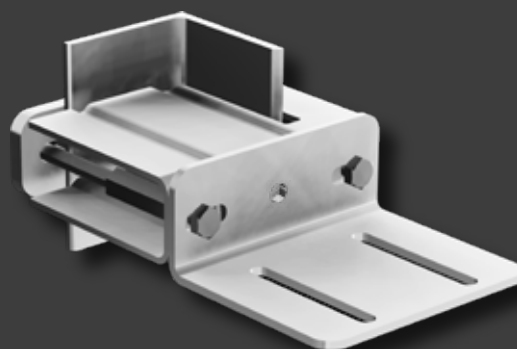
on tube
from Ø 31mm – 76mm
Art.-Nr. **BT-801-100F-K-rd**

adjustable on tube
from Ø 31mm – 76mm
Art.-Nr. **BT-801-10NF-K-rd**



on square section profile
from 40mm – 80mm
Art.-Nr. **BT-801-100F-K-qu**

on angel iron
from 40mm – 75mm
Art.-Nr. **BT-801-100F-K-wk**



EX-LIN LIGHT HOLDER



90°

Ex-Lin light holder

90°

Art.-Nr.: **BT-Ex1-090F-0-M**



105°

Ex-Lin light holder

105°

Art.-Nr.: **BT-Ex1-105F-0-M**



120°

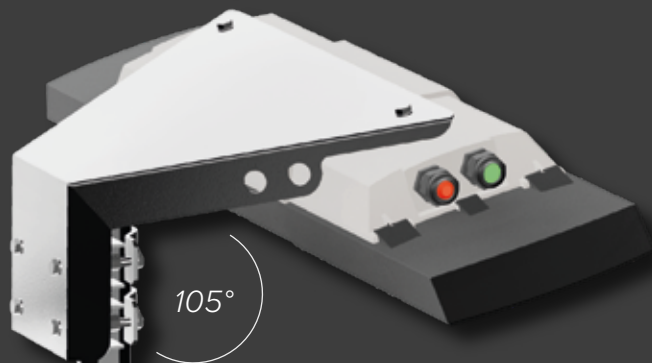
Ex-Lin Leuchten Halter

120°

Art.-Nr.: **BT-Ex1-120F-0-M**

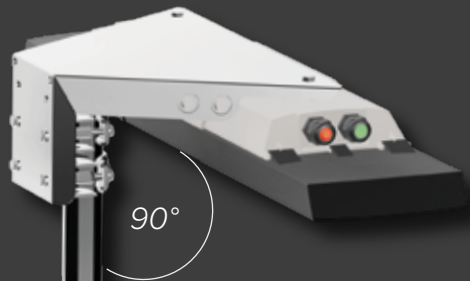


Ex-Lin light holder
straight
Art.-Nr.: **BT-Ex1-000F-0 M**



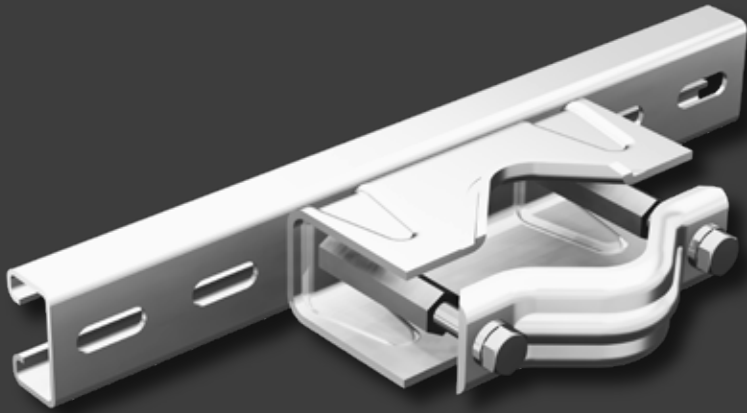
105°

Ex-Lin light holder
105° diagonally
Art.-Nr.: **BT-Ex2-105F-0-M**



90°

Ex-Lin Leuchten Halter
90° diagonally
Art.-Nr.: **BT-Ex2-090F-0-M**



Wall & equipment holder

For wall mounting of boom masts or for the installation of spotlights & devices.

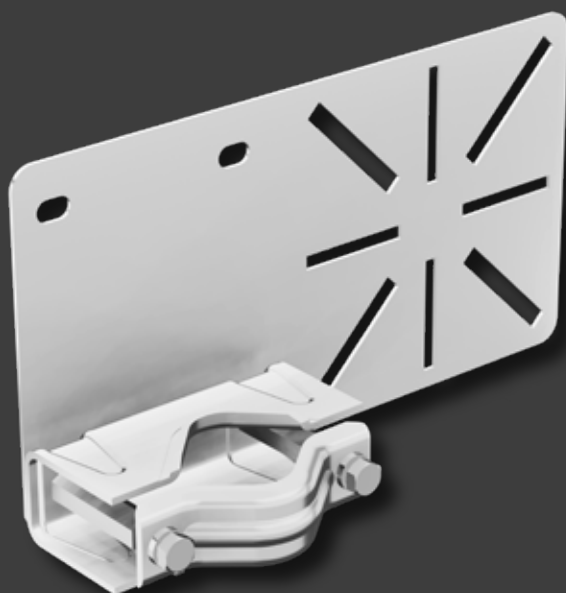
Art.-Nr. **BT-507-300F-W-rd**



Boom pole holder

can be clamped on H-beams & steel structures

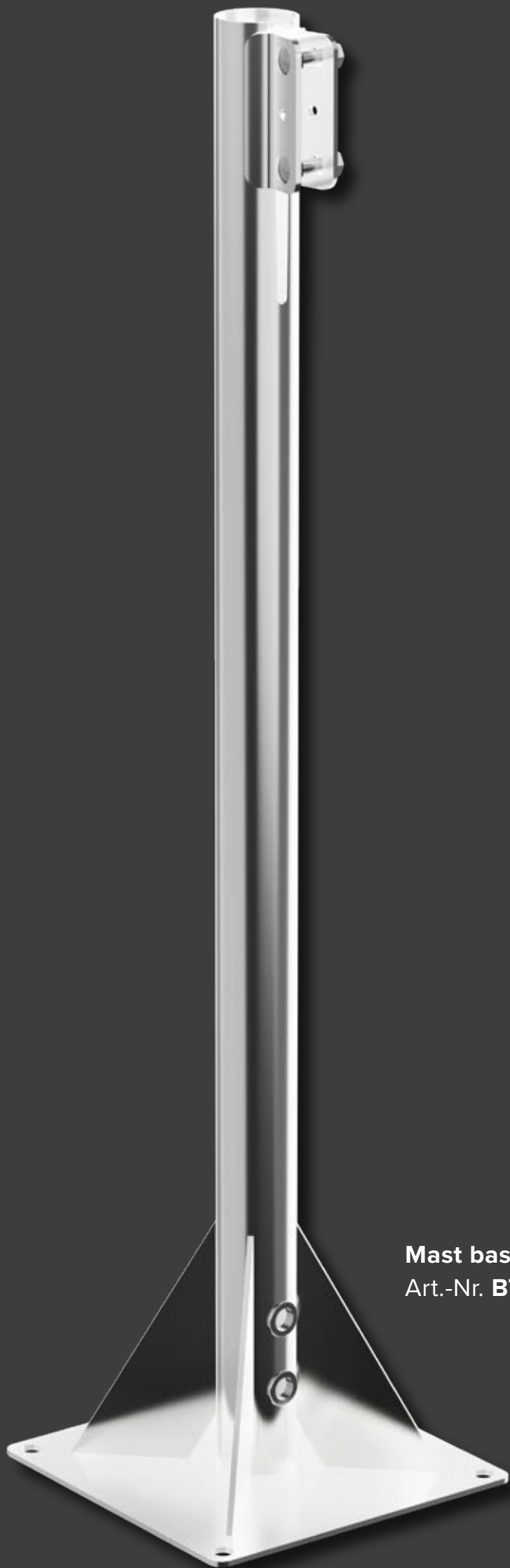
Art.-Nr. **BT-507-500F-H-rd**



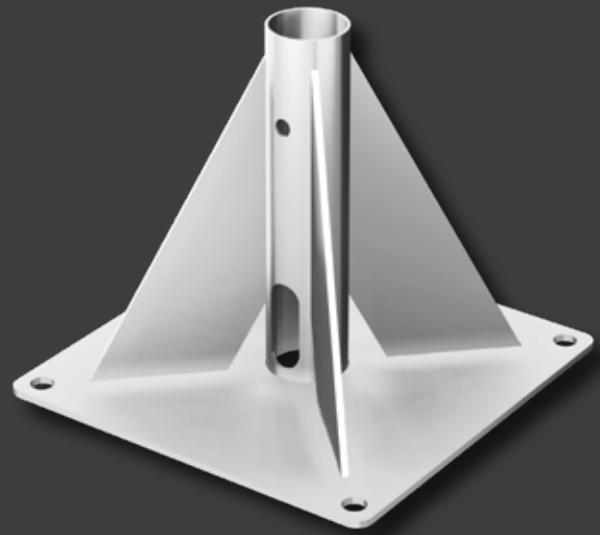
Junction box holder

for junction boxes up to 150mm x 150mm

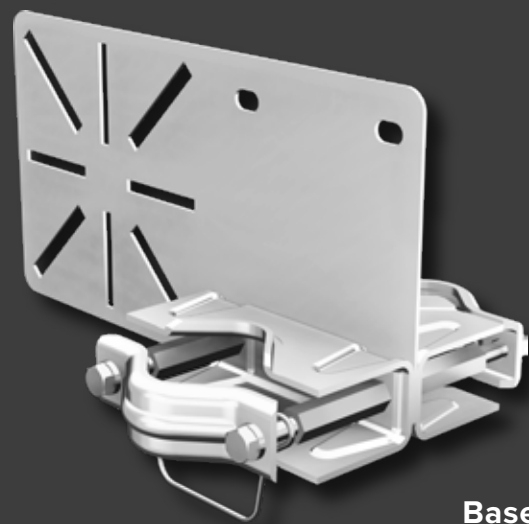
Art.-Nr. **BT-800-150F-D-rd**



Mast base stand
Art.-Nr. **BT-803-100F-M-55**



Flange foot
Art.-Nr. **BT-803-020F-M-48**



Base clamp
round-rund below with
Junction box holder



Luminaire fastening clip

Art.-Nr. **BT-505-048F-0-rd**



Luminaire canopy

250 mm für 36 Watt - 1500 lg

Art.-Nr. **BT-802-150F-0-25**



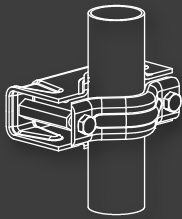
Luminaire canopy

250 mm for 58 Watt - 1800 lg

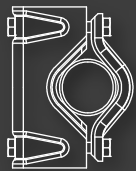
Art.-Nr. **BT-802-180F-0-25**

KOMBI-VARIANTEN DER UNIVERSALSCHELLEN

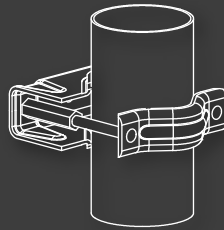
Base clamp
for round tube



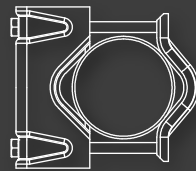
- von Ø 31mm -



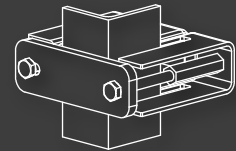
Base clamp
for round tube



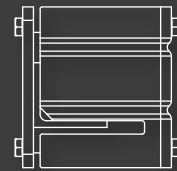
- bis Ø 76 mm -



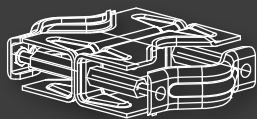
Base clamp
for angular steel



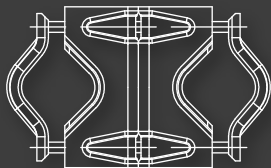
- von L 40 mm bis 75 mm -



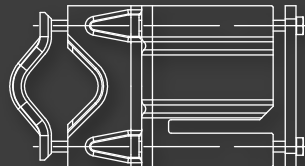
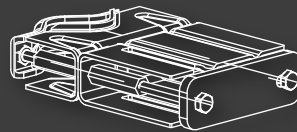
Combination
round & round



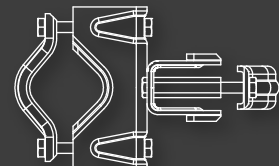
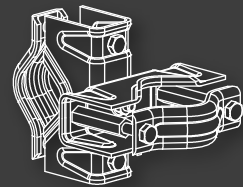
- von Ø 31 - 76 mm -



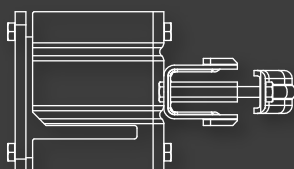
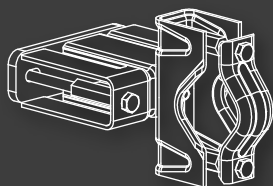
Combination
round & angular



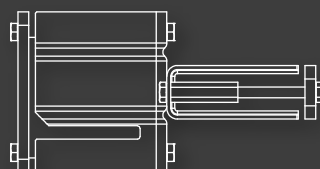
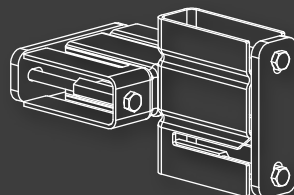
Combination
round & round 20°- 90°



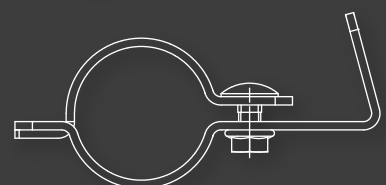
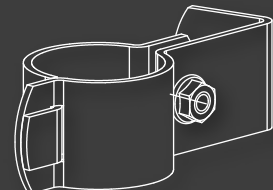
Combination
round & angular 20°- 90°

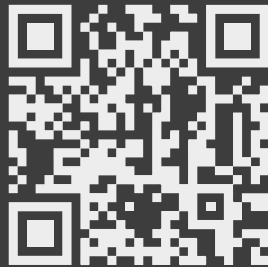


Combination
round & angular 20°- 90°



Luminaire
fastening clip





Befestigungstechnik in Westfalen GmbH

Gutenbergstraße 13-15, 58300 Wetter - Germany

Mail: info@befestigungstechnik-westfalen.de

Phone: +49 (0) 2335 17099-70

www.befestigungstechnik-westfalen.de